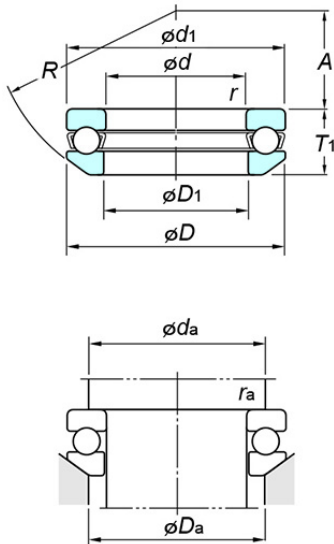


Thrust ball bearings - Single direction - With spherical back face



Bearing No. 53206

Specifications

(Boundary dimensions ...etc)

| | |
|-------------------------------------|------|
| d(mm) | 30 |
| D(mm) | 52 |
| T(mm) | 17.8 |
| r(min.)(mm) | 0.6 |
| Basic load ratings Ca(kN) | 36.7 |
| Basic load ratings C0a(kN) | 58.2 |
| Fatigue load limit : Cu(kN) | 2.65 |
| Limiting speeds(Grease lub.)(min-1) | 3400 |
| Limiting speeds(Oil lub.)(min-1) | 5200 |
| d1(max.)(mm) | 52 |
| D1(min.)(mm) | 32 |
| D2(mm) | - |
| D3(mm) | - |
| A(mm) | 22 |
| R(mm) | 45 |
| C(mm) | - |

Mounting dimensions

| | |
|--------------|-----|
| da(min.)(mm) | 43 |
| Da(max.)(mm) | 39 |
| ra(max.)(mm) | 0.6 |

Refer.

| | |
|------------------|-------|
| (Refer.)Mass(kg) | 0.160 |
|------------------|-------|